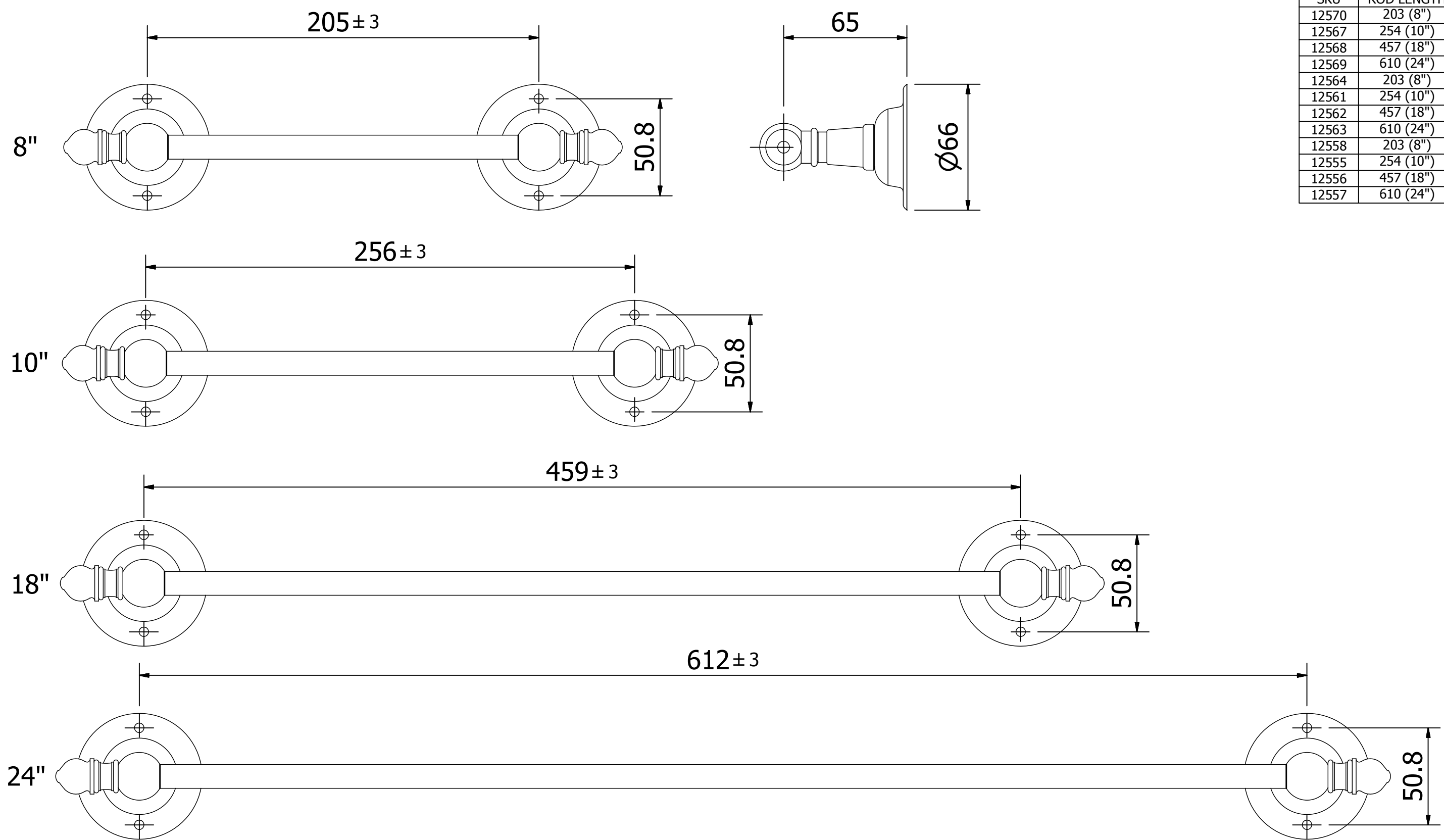


PART TABLE		
SKU	ROD LENGTH	FINISH
12570	203 (8")	OE Brass
12567	254 (10")	OE Brass
12568	457 (18")	OE Brass
12569	610 (24")	OE Brass
12564	203 (8")	Bronze
12561	254 (10")	Bronze
12562	457 (18")	Bronze
12563	610 (24")	Bronze
12558	203 (8")	Nickel
12555	254 (10")	Nickel
12556	457 (18")	Nickel
12557	610 (24")	Nickel



Edison Light Globes globes, flex and fittings

REVISION HISTORY				
REV	DESCRIPTION	DATE	APPROVED	CR
A0	Initial Release		PG	

USE ONLY FOR JOB NO.		Material		Finish	
UNCONTROLLED DOCUMENT		SCALE: DNS		© Edison Light Globes Pty Ltd edisonlightglobes.com	
Designed by DavidG		Checked by	Approved by PG	Date 7/02/2014	Project Hand Towel Rail Fancy
Dimensions in millimetres Limit on untoleranced unmachined dimensions ± 0.2mm No decimal place 1mm 1 decimal place ± 0.3mm 2 decimal places ± 0.1mm General unmachined angular tolerance ± 1° Tolerance to be non-cumulative				Revision	Sheet 1 / 1