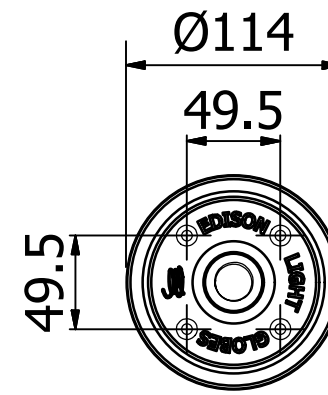
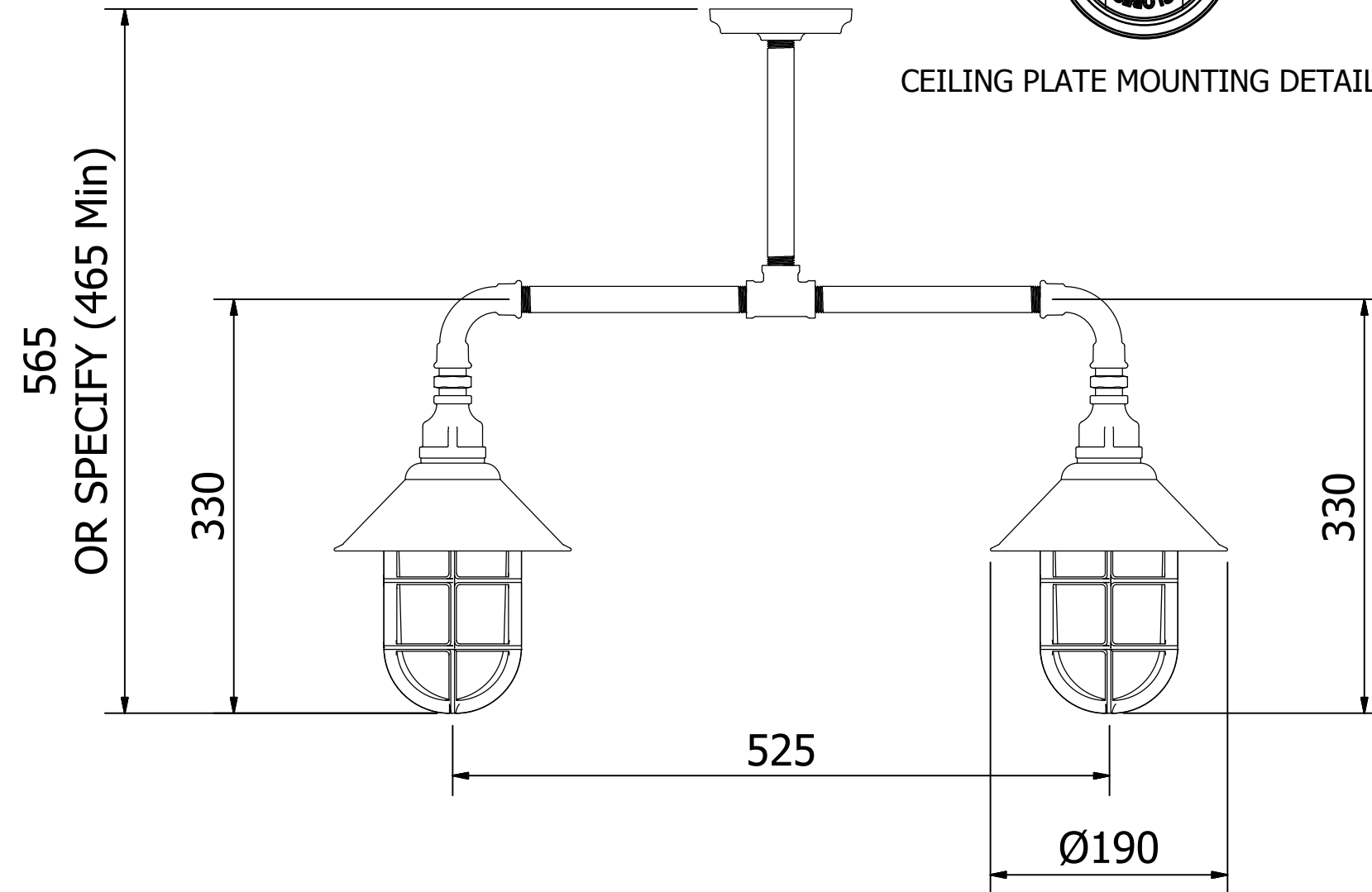


DUE TO THE NATURE OF THE MATERIALS,
OVERALL DIMENSIONS ARE APPROXIMATE



CEILING PLATE MOUNTING DETAIL



Edison Light Globes globes, flex and fittings



REVISION HISTORY				
REV	DESCRIPTION	DATE	APPROVED	CR
A0	Initial Release		PG	

USE ONLY FOR JOB NO.	Material	Finish		
	SCALE: DNS	© Edison Light Globes Pty Ltd edisonlightglobes.com		
UNCONTROLLED DOCUMENT	Designed by DavidG	Checked by	Approved by PG	Date 3/10/2014
	Dimensions in millimetres Limit on untoleranced unmachined dimensions ± 0.2mm No decimal place 1mm 1 decimal place ± 0.3mm 2 decimal places ± 0.1mm General unmachined angular tolerance ±1° Tolerance to be non-cumulative			Outdoor Galvanised plumbing pipe table pendant 2 Lights Revision Sheet 1 / 1