

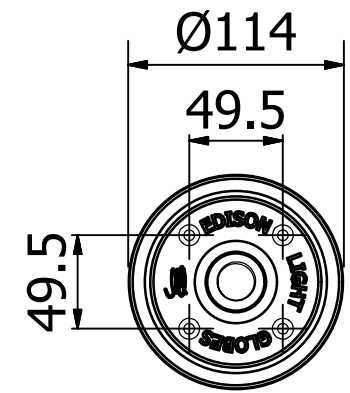
LENGTH TO ORDER  
(MINIMUM 40mm)

590

220

1080

DUE TO THE NATURE OF  
THE MATERIALS, OVERALL  
DIMENSIONS ARE APPROXIMATE



CEILING PLATE  
MOUNTING DETAIL

**Edison Light Globes** globes, flex and fittings

REVISION HISTORY

REV	DESCRIPTION	DATE	APPROVED	CR
A0	Initial Release		PG	

USE ONLY FOR JOB NO.	Material	Finish	
	SCALE: DNS	© Edison Light Globes Pty Ltd edisonlightglobes.com	
UNCONTROLLED DOCUMENT	Designed by DavidG	Checked by PG	Approved by PG
	<small>Dimensions in millimetres Limit on untoleranced unmachined dimensions ± 0.2mm No decimal place 1mm 1 decimal place ± 0.3mm 2 decimal places ± 0.1mm General unmachined angular tolerance ±1° Tolerance to be non-cumulative</small>	Date 12/10/2014	Project Outdoor Plumbing Pipe Ceiling Light 3 Way E27 Gal
		Revision	Sheet 1 / 1