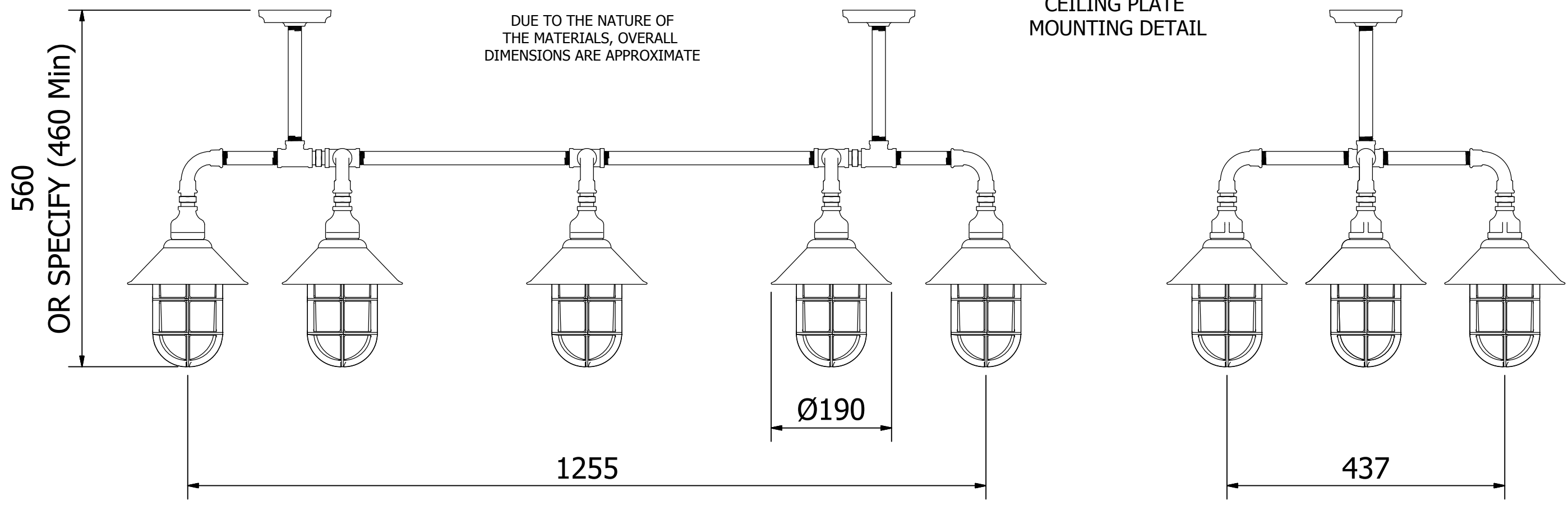


CEILING PLATE MOUNTING DETAIL

DUE TO THE NATURE OF THE MATERIALS, OVERALL DIMENSIONS ARE APPROXIMATE



**Edison Light Globes** globes, flex and fittings

REVISION HISTORY				
REV	DESCRIPTION	DATE	APPROVED	CR
A0	Initial Release		PG	

USE ONLY FOR JOB NO.		Material		Finish	
UNCONTROLLED DOCUMENT		SCALE: DNS		© Edison Light Globes Pty Ltd edisonlightglobes.com	
		Designed by DavidG	Checked by	Approved by PG	Date 15/03/2015
Dimensions in millimetres Limit on untoleranced unmachined dimensions ± 0.2mm No decimal place 1mm 1 decimal place ± 0.3mm 2 decimal places ± 0.1mm General unmachined angular tolerance ±1° Tolerance to be non-cumulative		Outdoor Plumbing Pipe Dining Table Light			
		Revision		Sheet 1 / 1	