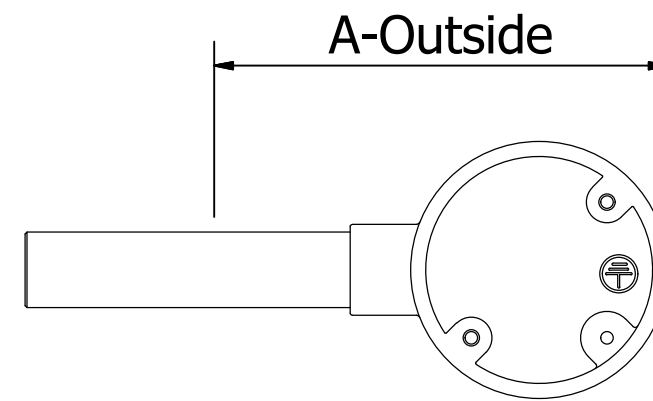
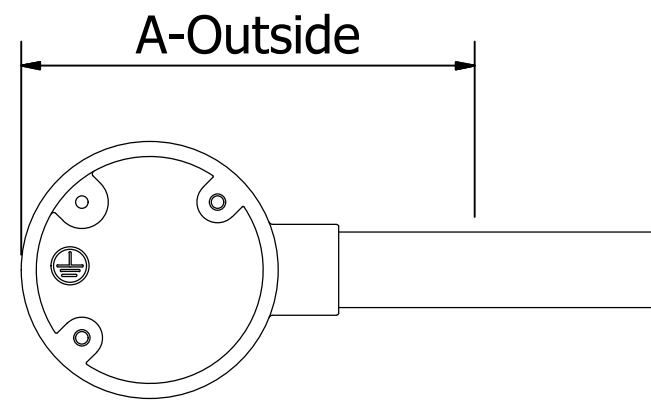
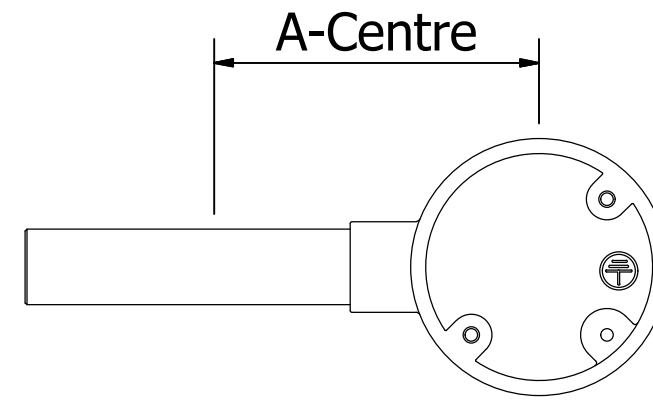
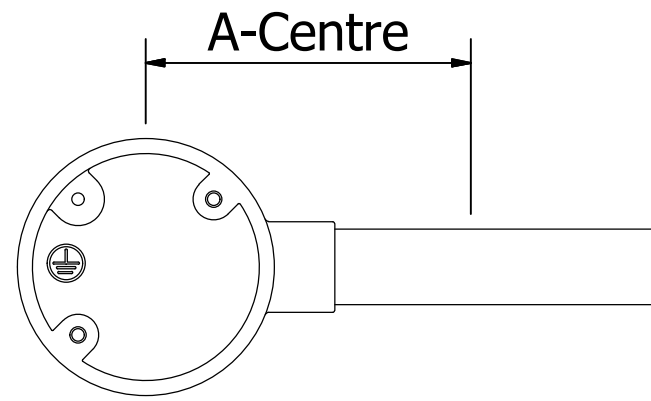


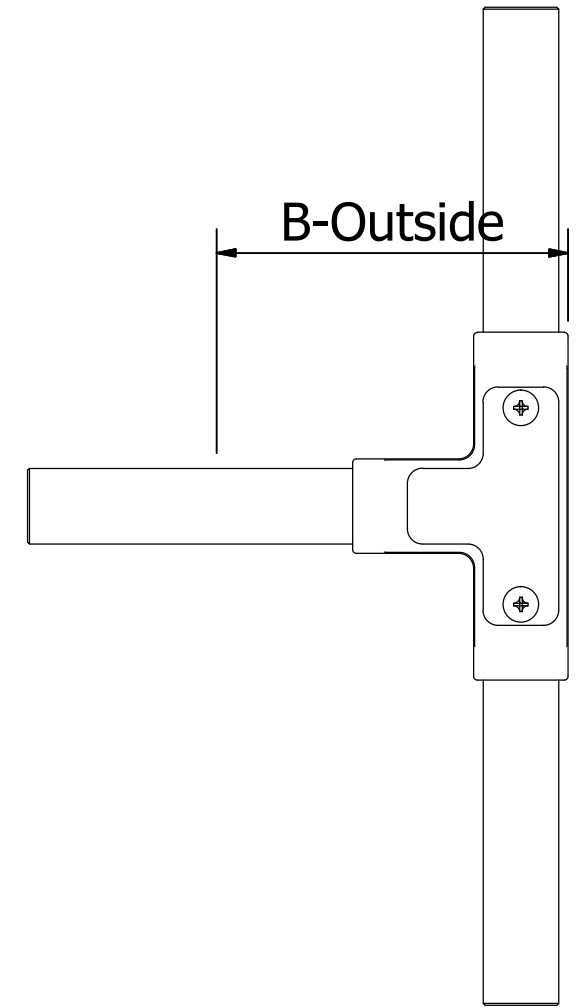
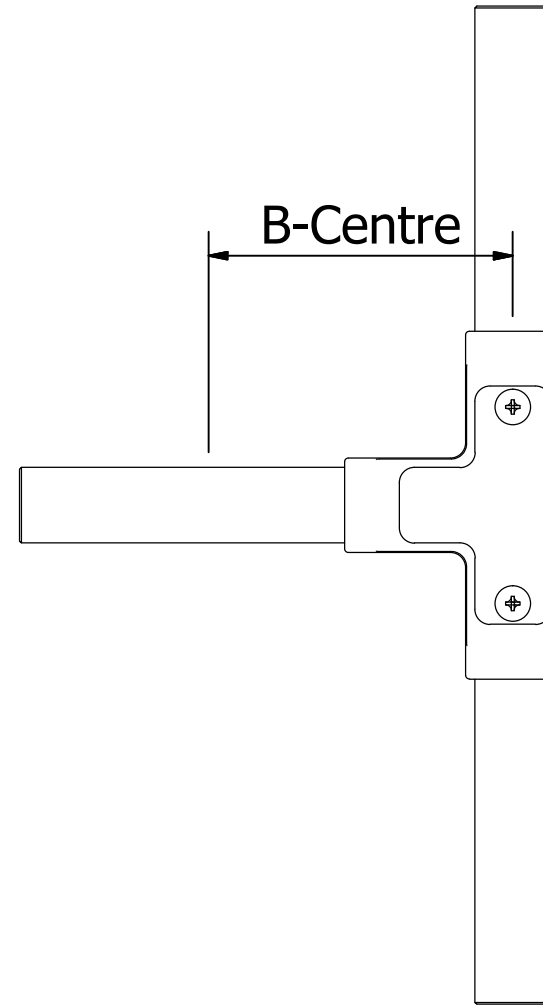
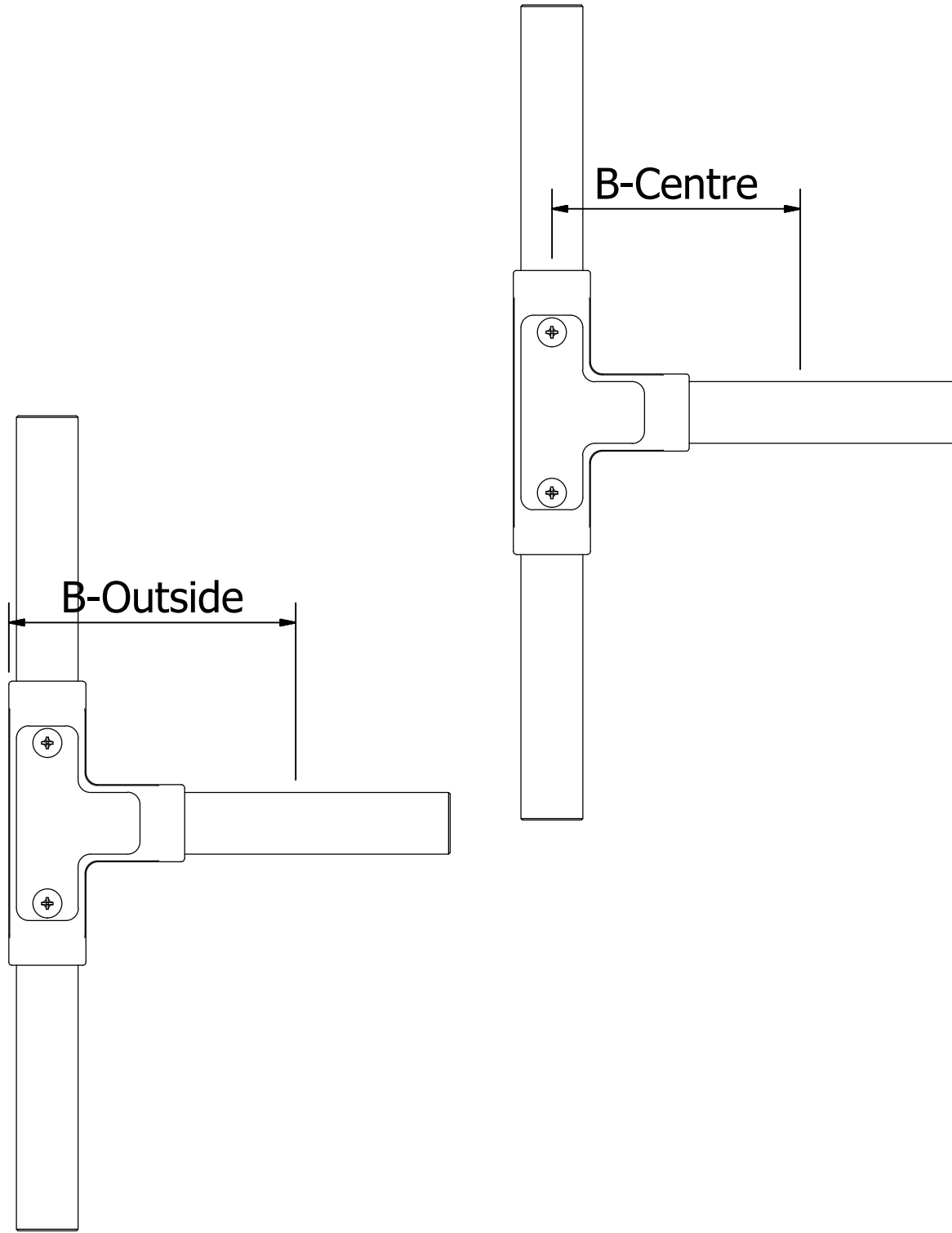
REVISION HISTORY				
REV	DESCRIPTION	DATE	APPROVED	CR
A0	Initial Release		PG	

USE ONLY FOR JOB NO.	Material	Finish		
UNCONTROLLED DOCUMENT	SCALE: DNS	© Edison Light Globes Pty Ltd edisonlightglobes.com		
	Designed by David Greenwood	Checked by PG	Approved by	Date 01/04/2016
	<small>Dimensions in millimetres Limit on untoleranced unmachined dimensions ± 0.2mm No decimal place 1mm 1 decimal place ± 0.3mm 2 decimal places ± 0.1mm General unmachined angular tolerance ±1° Tolerance to be non-cumulative</small>		Revision	Sheet 1 / 7




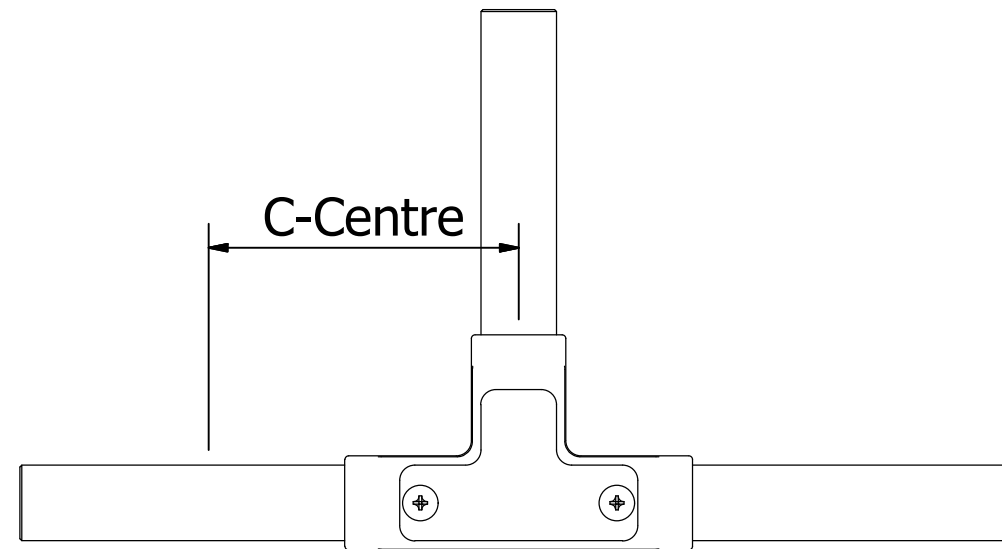
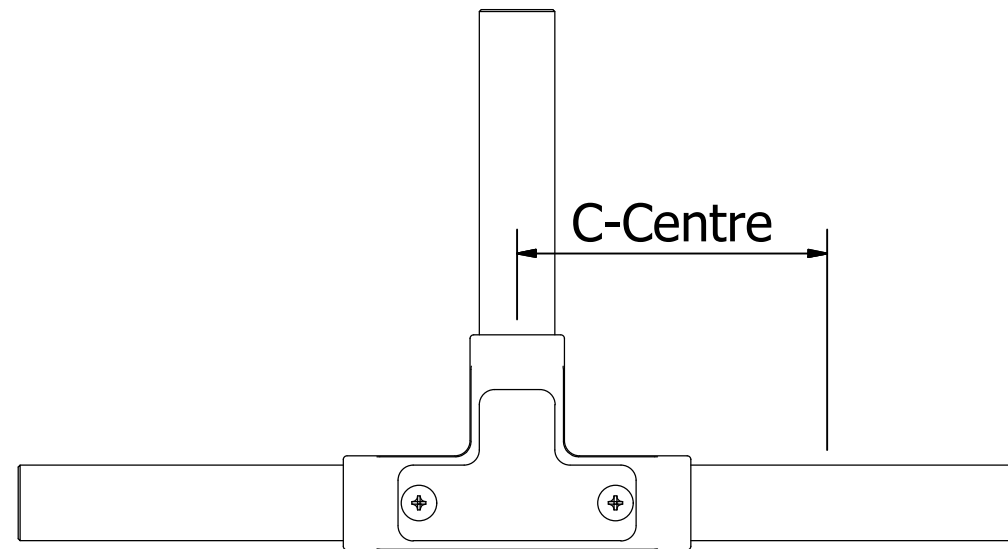
Edison Light Globes globes, flex and fittings

USE ONLY FOR JOB NO.	Material	Finish				
	SCALE: DNS				© Edison Light Globes Pty Ltd edisonlightglobes.com	
UNCONTROLLED DOCUMENT	Designed by	Checked by	Approved by	Date	Project	Date
	David Greenwood		PG			01/04/2016
	Dimensions in millimetres Limit on untoleranced unmachined dimensions $\pm 0.2\text{mm}$ No decimal place 1mm 1 decimal place $\pm 0.3\text{mm}$ 2 decimal places $\pm 0.1\text{mm}$ General unmachined angular tolerance $\pm 1^\circ$ Tolerance to be non-cumulative			<div style="text-align: center;"> <h2>Dimension Assembly</h2> </div>		
			Revision			
				2 / 7		



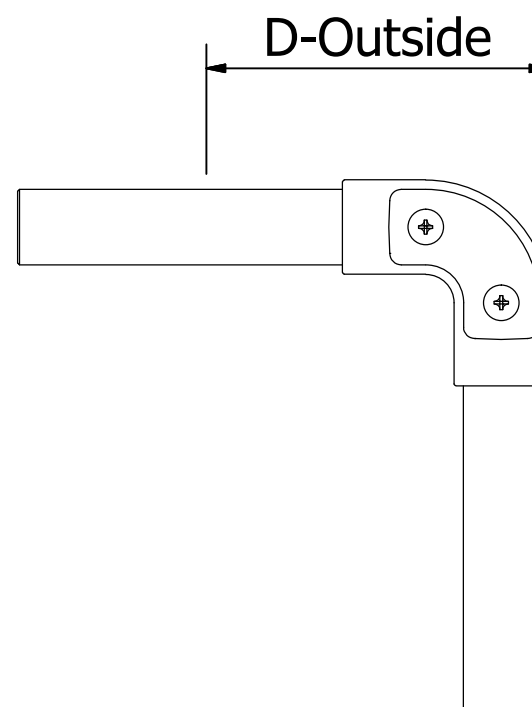
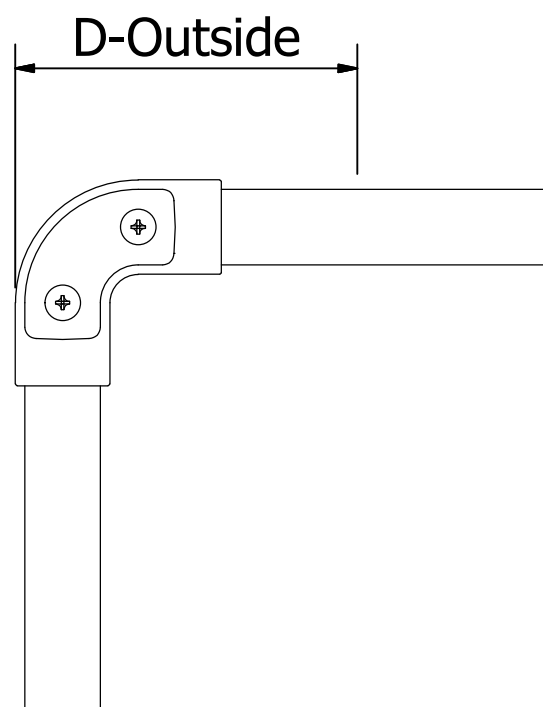
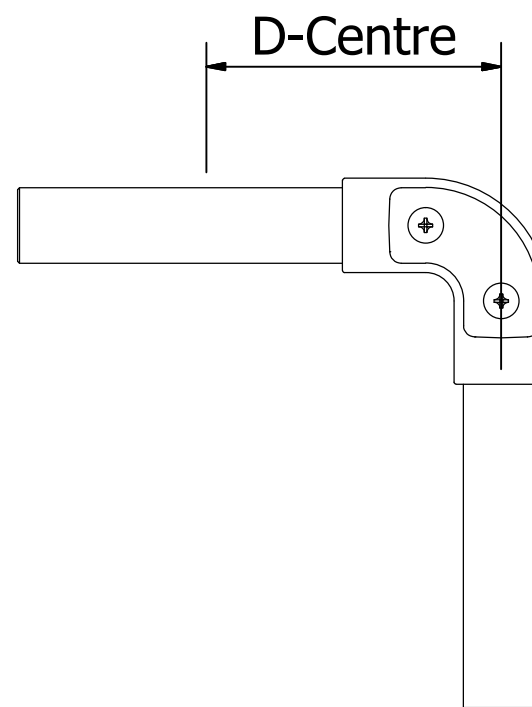
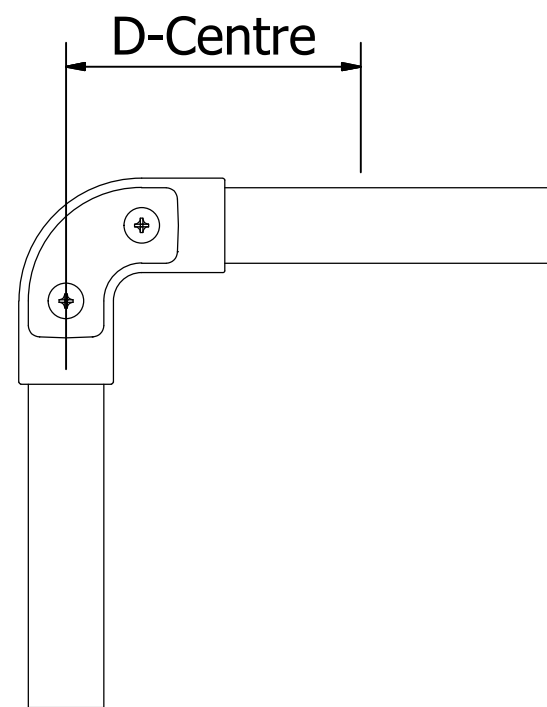
Edison Light Globes globes, flex and fittings

USE ONLY FOR JOB NO.	Material	Finish				
	SCALE: DNS				© Edison Light Globes Pty Ltd edisonlightglobes.com	
UNCONTROLLED DOCUMENT	Designed by	Checked by	Approved by	Date	Project	Date
	David Greenwood		PG			01/04/2016
	Dimensions in millimetres Limit on untoleranced unmachined dimensions $\pm 0.2\text{mm}$ No decimal place 1mm 1 decimal place $\pm 0.3\text{mm}$ 2 decimal places $\pm 0.1\text{mm}$ General unmachined angular tolerance $\pm 1^\circ$ Tolerance to be non-cumulative			<div style="text-align: center;">  </div>		
	Dimension Assembly		Revision			
					3 / 7	

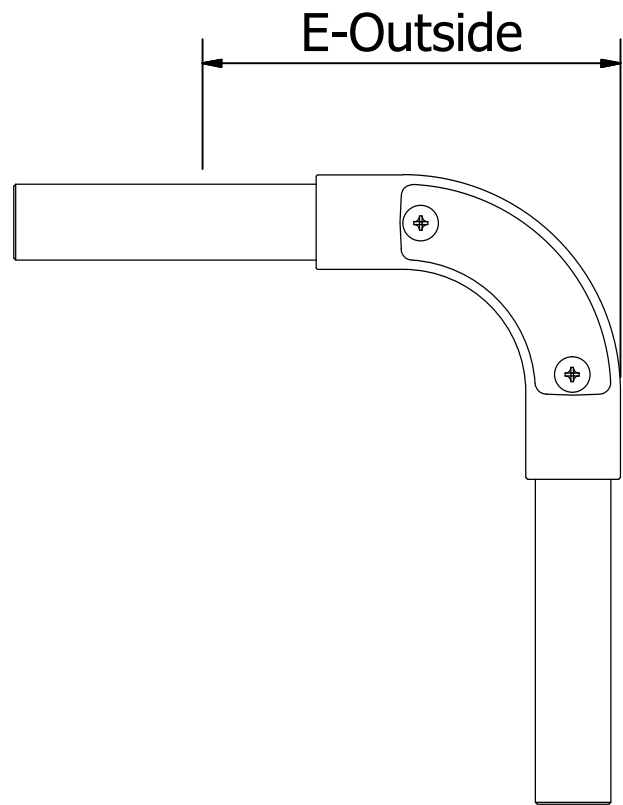
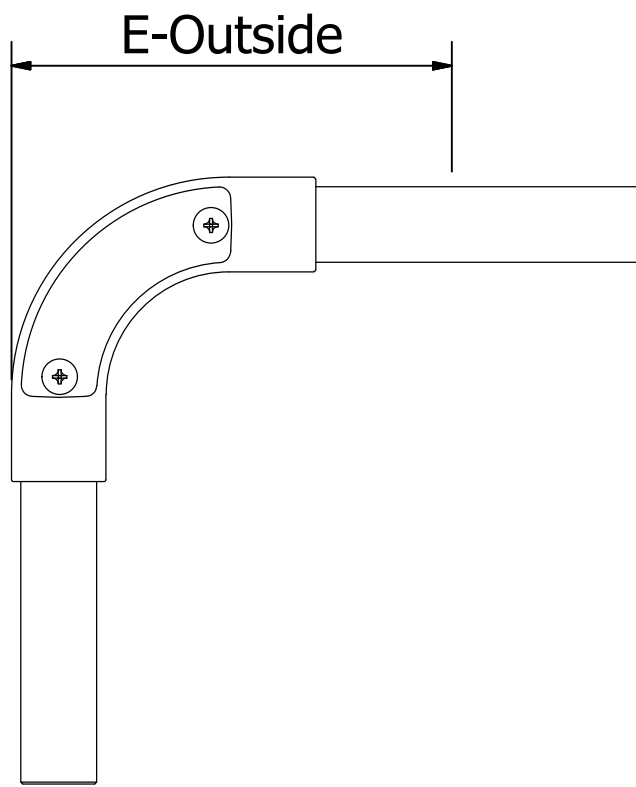
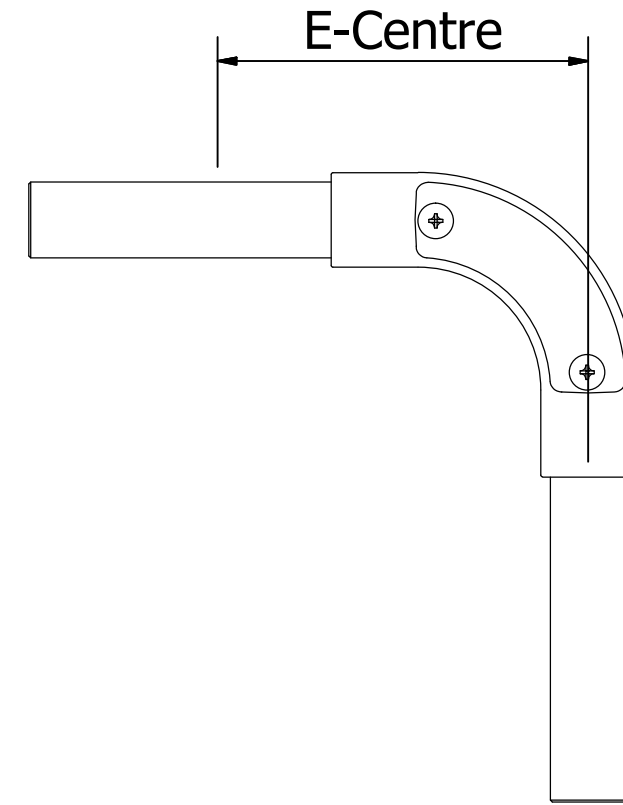
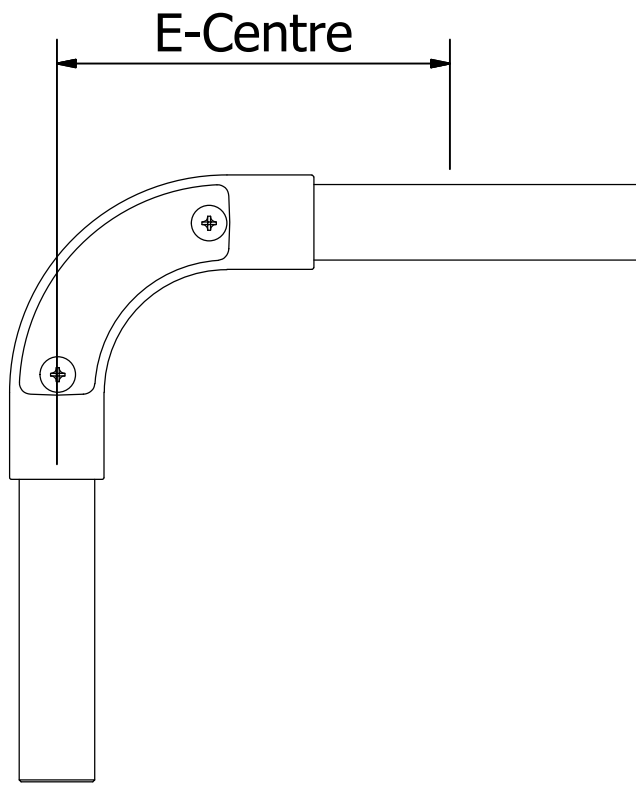


Edison Light Globes globes, flex and fittings

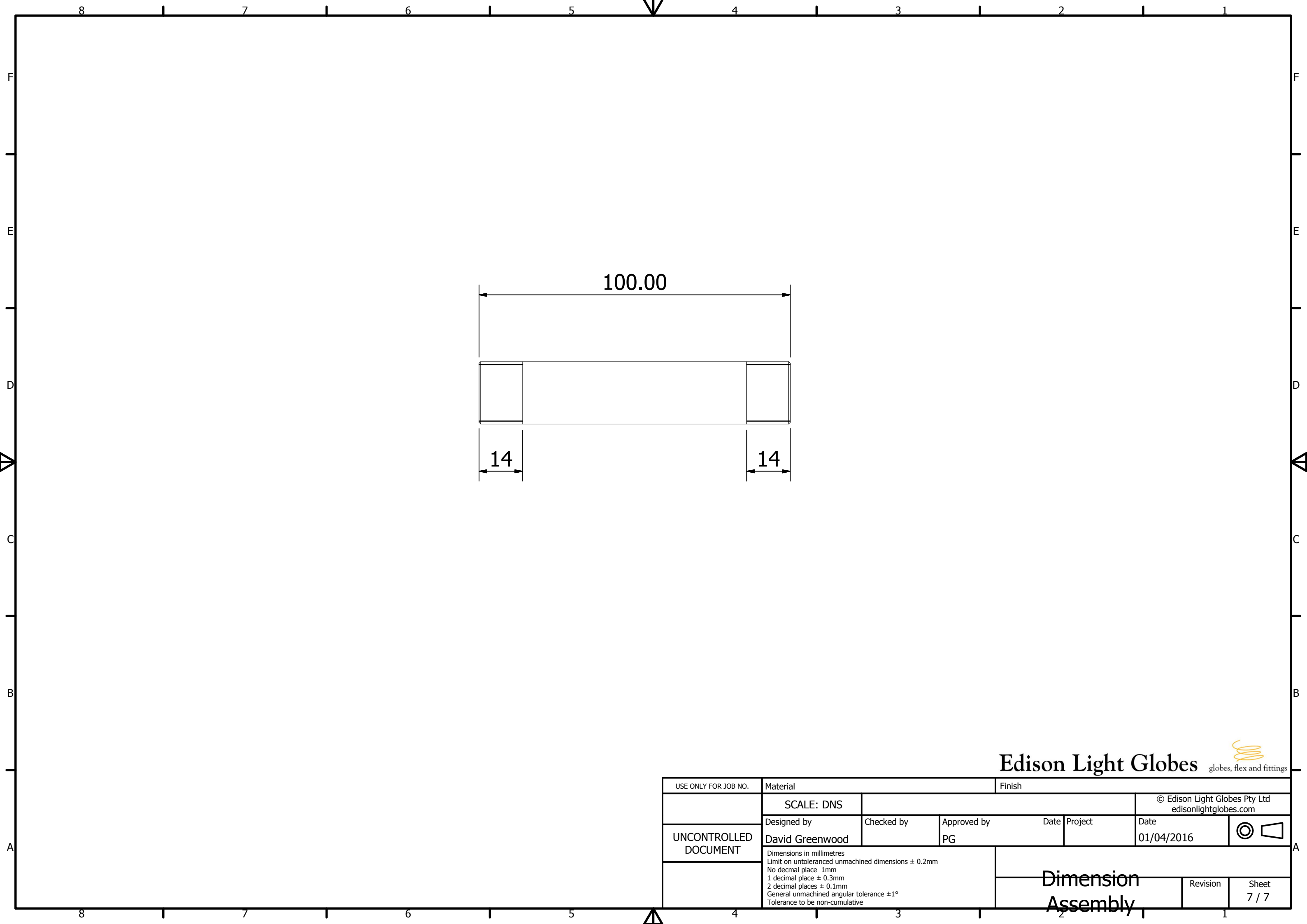
USE ONLY FOR JOB NO.	Material	Finish				
	SCALE: DNS				© Edison Light Globes Pty Ltd edisonlightglobes.com	
UNCONTROLLED DOCUMENT	Designed by	Checked by	Approved by	Date	Project	Date
	David Greenwood		PG			01/04/2016
	Dimensions in millimetres Limit on untoleranced unmachined dimensions $\pm 0.2\text{mm}$ No decimal place 1mm 1 decimal place $\pm 0.3\text{mm}$ 2 decimal places $\pm 0.1\text{mm}$ General unmachined angular tolerance $\pm 1^\circ$ Tolerance to be non-cumulative			<div style="text-align: center;"> <h2>Dimension Assembly</h2> </div>		
			Revision			
				4 / 7		



USE ONLY FOR JOB NO.	Material	Finish				
	SCALE: DNS				© Edison Light Globes Pty Ltd edisonlightglobes.com	
UNCONTROLLED DOCUMENT	Designed by	Checked by	Approved by	Date	Project	Date
	David Greenwood		PG			01/04/2016
	Dimensions in millimetres Limit on untoleranced unmachined dimensions ± 0.2mm No decimal place 1mm 1 decimal place ± 0.3mm 2 decimal places ± 0.1mm General unmachined angular tolerance ±1° Tolerance to be non-cumulative			<div style="text-align: center;"> <h2>Dimension Assembly</h2> </div>		
			Revision			
					5 / 7	



USE ONLY FOR JOB NO.	Material	Finish					
	SCALE: DNS				© Edison Light Globes Pty Ltd edisonlightglobes.com		
UNCONTROLLED DOCUMENT	Designed by	Checked by	Approved by	Date	Project	Date	
	David Greenwood		PG			01/04/2016	
	Dimensions in millimetres Limit on untoleranced unmachined dimensions $\pm 0.2\text{mm}$ No decimal place 1mm 1 decimal place $\pm 0.3\text{mm}$ 2 decimal places $\pm 0.1\text{mm}$ General unmachined angular tolerance $\pm 1^\circ$ Tolerance to be non-cumulative			Dimension Assembly		Revision	Sheet
						6 / 7	



USE ONLY FOR JOB NO.	Material	Finish				
	SCALE: DNS				© Edison Light Globes Pty Ltd edisonlightglobes.com	
UNCONTROLLED DOCUMENT	Designed by	Checked by	Approved by	Date	Project	Date
	David Greenwood		PG			01/04/2016
	Dimensions in millimetres Limit on untoleranced unmachined dimensions ± 0.2mm No decimal place 1mm 1 decimal place ± 0.3mm 2 decimal places ± 0.1mm General unmachined angular tolerance ±1° Tolerance to be non-cumulative			Dimension Assembly		
			Revision			
				7 / 7		