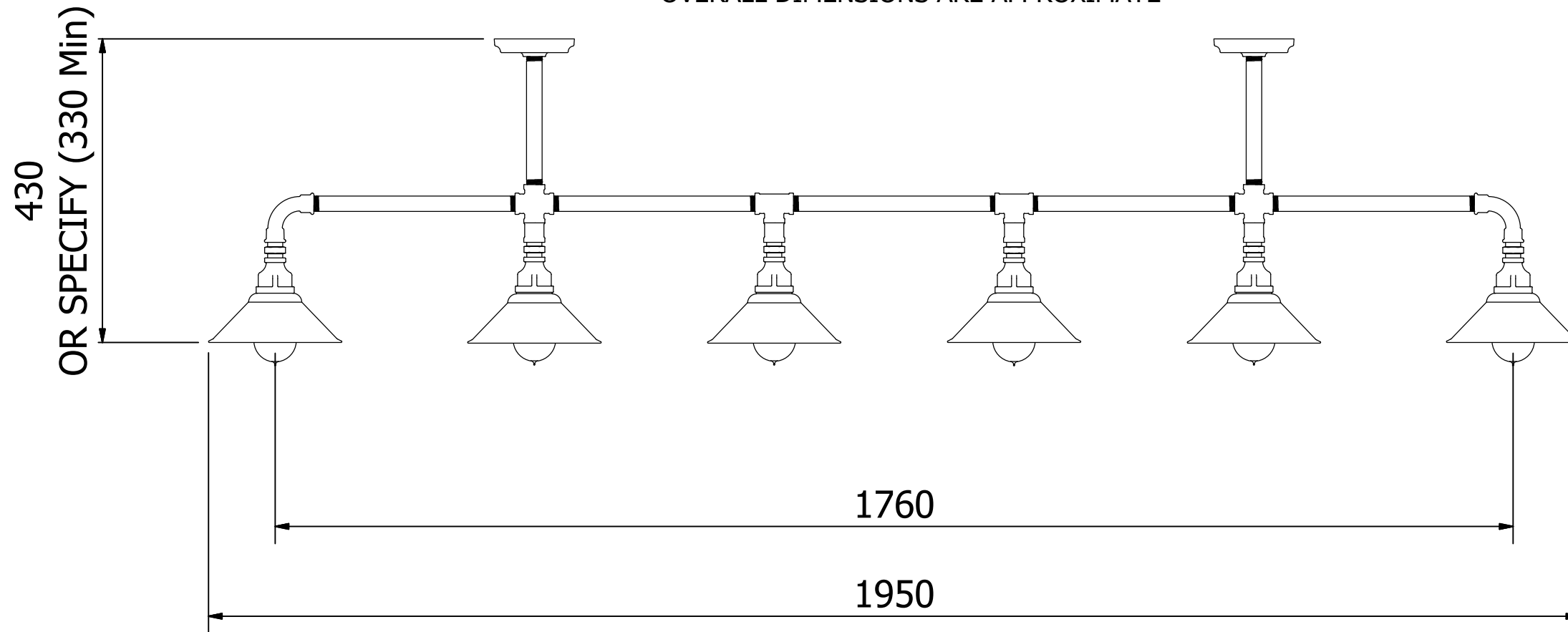


CEILING PLATE
MOUNTING DETAIL

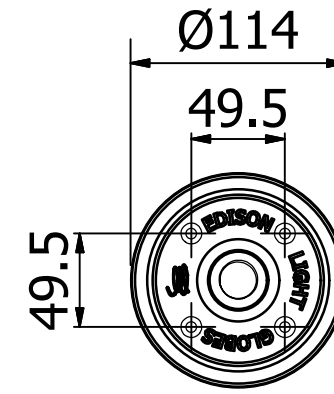
DUE TO THE NATURE OF THE MATERIALS,
OVERALL DIMENSIONS ARE APPROXIMATE



Edison Light Globes globes, flex and fittings

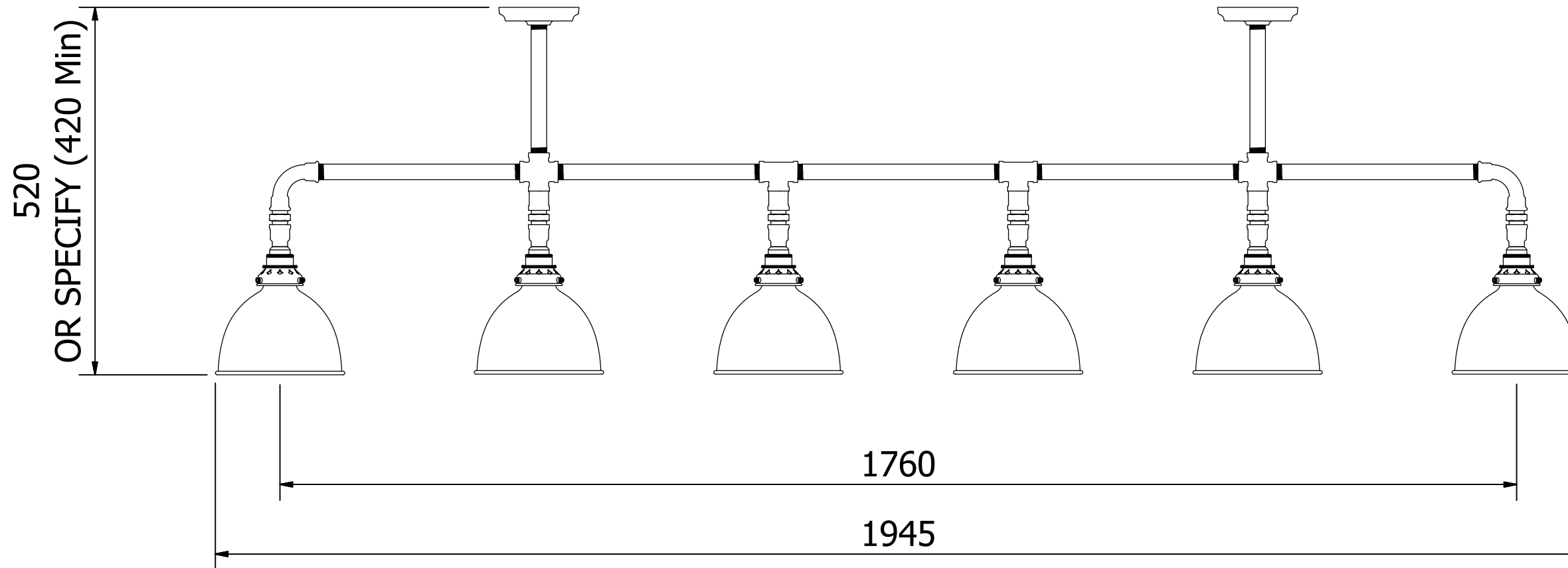
| REVISION HISTORY | | | | |
|------------------|-----------------|------|----------|----|
| REV | DESCRIPTION | DATE | APPROVED | CR |
| A0 | Initial Release | | PG | |

| | | | | |
|-----------------------|---|--|---------------------------------------|-------------------|
| USE ONLY FOR JOB NO. | Material | Finish | | |
| UNCONTROLLED DOCUMENT | SCALE: DNS | © Edison Light Globes Pty Ltd edisonlightglobes.com | | |
| | Designed by davidgreenwood | Checked by | Approved by PG | Date 12-Aug-16 |
| | Dimensions in millimetres Limit on untoleranced unmachined dimensions ± 0.2mm No decimal place 1mm 1 decimal place ± 0.3mm 2 decimal places ± 0.1mm General unmachined angular tolerance ±1° Tolerance to be non-cumulative | | Plumbing Pipe Ceiling Light 5 Way E27 | |
| | | PL036 | Revision A0 | Sheet 1 / 2 |



CEILING PLATE
MOUNTING DETAIL

DUE TO THE NATURE OF THE MATERIALS,
OVERALL DIMENSIONS ARE APPROXIMATE



Edison Light Globes globes, flex and fittings

| | | | | | | |
|-----------------------|---|------------|-------------------|---------------------------------------|--|-------------------|
| USE ONLY FOR JOB NO. | Material | Finish | | | | |
| | SCALE: DNS | | | | © Edison Light Globes Pty Ltd edisonlightglobes.com | |
| UNCONTROLLED DOCUMENT | Designed by davidgreenwood | Checked by | Approved by PG | Date | Project | Date 12-Aug-16 |
| | Dimensions in millimetres Limit on untoleranced unmachined dimensions ± 0.2mm No decimal place 1mm 1 decimal place ± 0.3mm 2 decimal places ± 0.1mm General unmachined angular tolerance ±1° Tolerance to be non-cumulative | | | Plumbing Pipe Ceiling Light 5 Way E27 | | |
| | PL036 | | | Revision A0 | Sheet 2 / 2 | |