

# DIMMER for 1...10V Dimmable ECG SDF30



INSTRUMENT ENGINEERING

## Installation Instructions

### Features

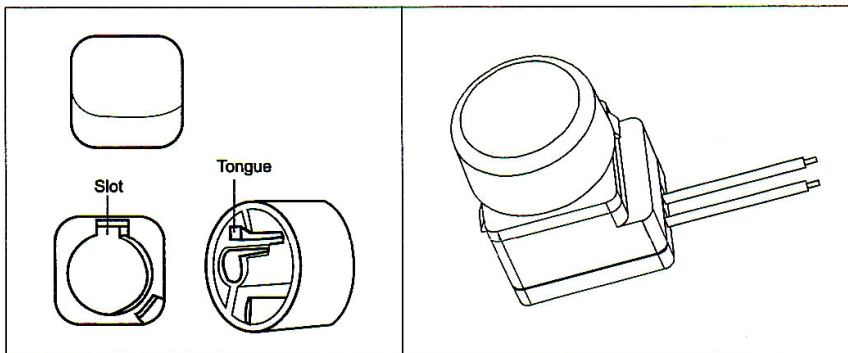
- Straight forward installation
- Dimming range 1%...100%
- All types of fluorescent lamps can be dimmed through proper ECG
- ECG generated control power, no extra power source needed
- Can connect with Clipsal, HPM switchboard

### Specifications

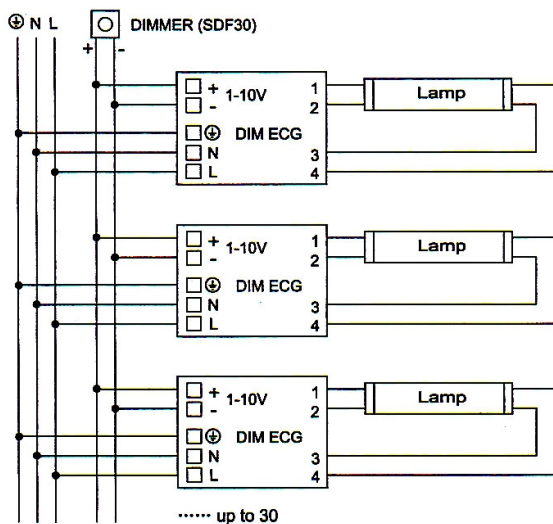
- Working ambient temperature: 0 - 50°C
- Maximum controls 30pcs electronic ballast
- Connection cable length: Max.300 m
- Dimensions: 25.5 x 21.5 x 35mm
- Weight: 16g

### To set Minimum Brightness

- Switch on power after dimmer is properly wired and mounted
- Turn the dimmer until the desired minimum brightness is obtained
- Insert the knob cover with the tongue on the knob (see illustration below) lines up with the slot on the dimmer



### Wiring Diagram



### Important Warning

- Disconnect power at the main switchboard before installation
- Two or more dimmers cannot be connected in parallel or series to control the same load
- Ensure that the positive and negative leads of the control line are correctly connected, Red wire (+), White wire (-)

